

ZDY1620

overview



features

applicable condition

1. When the voltage +/- connection right, the direction of rotation shown by arrow.
2. The temperature condition: -40~120°C
3. Rated voltage: 12V
4. Noise level as GB 10069, motor mounted on the valve spaced 70cm. The noise within 57db, on another condition within 70db (Testing voltage 12±0.5)
5. Parameters
Torque N.m 转速 rpm 电流
Noload 0 5000±10% 3A
 0.2 3600±10% 13A
 0.4 2600±10% 24A
Stall堵转转矩 ≥ 0.75N.m 电流 50A

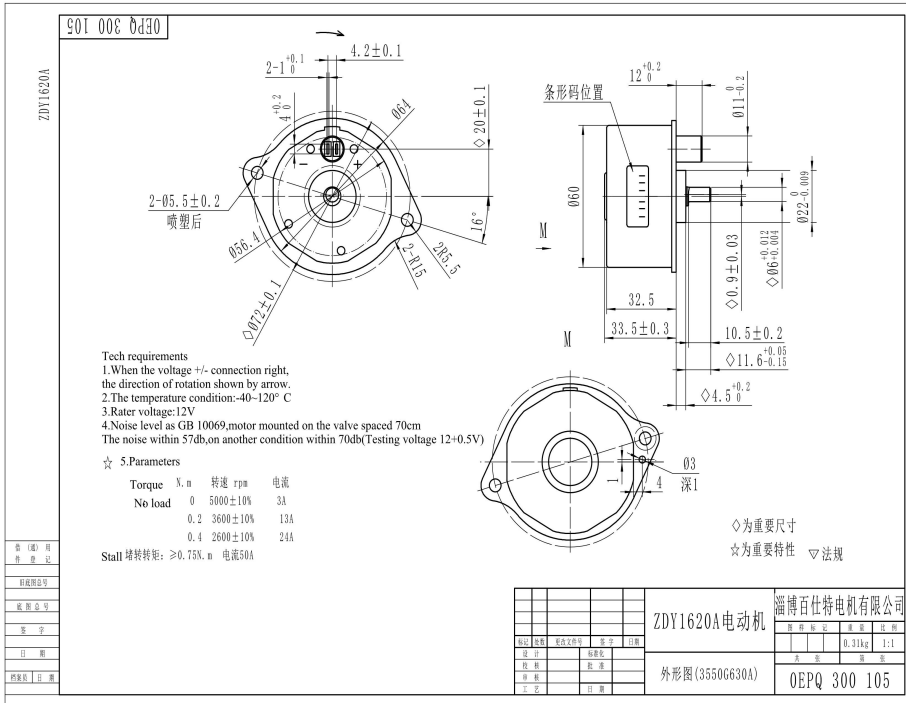
installation instructions

As the requirements of clients/Adjustable

specifications

product model	voltage	torque	speed	power	current	working duty	protection class	other
ZDY1620A	12V	0.4Nm	2600RPM		24A	S2	IP55	

Outline and installation dimensions appearance



packaging

Inner packing: lpc/polystyrene surround with polyethylene bag.
 Outer packing: Cardboard cartons with printed labels detailing reference, shrink-wrapped and cardboard jacket placed over carton with printed label detailing packing list.

certificate

Shandong Shanbo Electric Machine Group Co.,Ltd
(Boshan Motor Factory)
address: NO.76 Beishan Road Zibo Shandong 255200 China
telephone number:+86 533 3571651
Fax:+86 533 3571655
Email:info@shenbomotor.cn